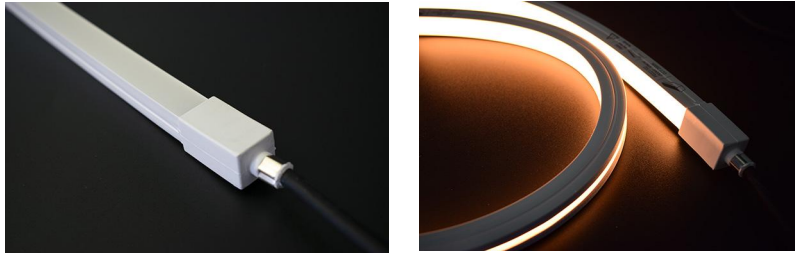


LED NEON LIGHT

Code: AST-NT1615-24-IP68

SPEC SHEET



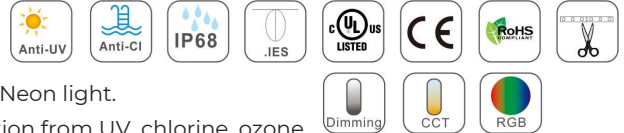
16*15MM dimension LED neon light with vertical bend feature.

Well diffused light to achieve even, soft and eye friendly lighting effect.

Excellent toughness, simple and stylish appearance, delicate and unique Neon light.

External silicon housing(Dow brand) with inner PVC housing,duel protection from UV, chlorine, ozone .

Custom length manufactured with IP68 waterproof grade for swimming pool with maximum 2.5m depth.



Technical Specification

Light source parameters

Light source	2835/5050
Color	Mono/CCT/RGB
CRI (mono white)	90+
SDCM(light source)	<3

Electrical parameters

Input voltage	24VDC
Input current(10W/M)	0.42A/m
Input current(11.5W/M)	0.48A/m
Input cable	3meters 18AWG

Operating parameters

Warranty	3 Years
Life span	50000 hrs
Storage temperature	0°C ~ +60°C
Working temperature	-20°C ~ +40°C
Housing material	Silicon glue+PVC
Waterproof rating	IP68 (swimming pool)

Lumen&cut segment parameters

Color	10watts/m	11.5watts/m	Cut segment
2000K/2400K/2700K/3000K 3500K/4000K/5000K/6500K	375	/	50mm
Red(620-625nm)	174	/	50mm
Green(515-525nm)	489	/	50mm
Blue(460-465nm)	89	/	50mm
Yellow(585~595nm)	178	/	50mm
Pink	437	/	50mm
Orange Amber(605~615nm)	184	/	50mm
CCT Adjustable	410	/	62.5mm
RGB	245	/	83.3mm
Digital RGB (UCS1903)	/	288	125mm (8pixels/m)

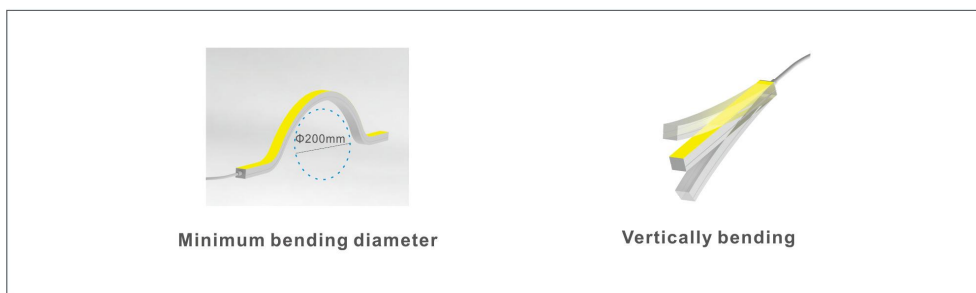
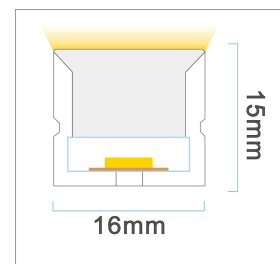
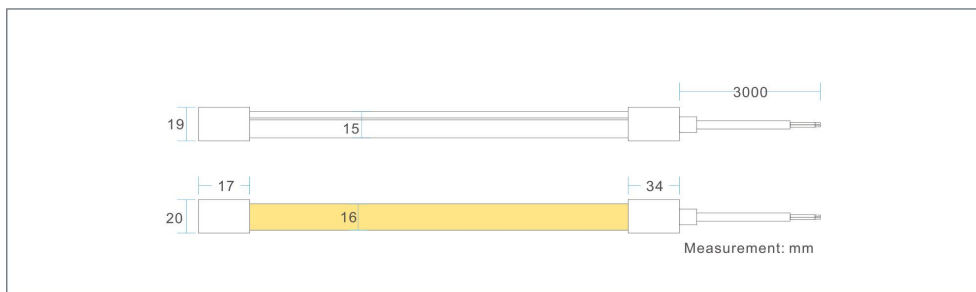
*All datas are based on 1M ,±10% variant exists for above data

Maximum running length parameters(CC type)

Color	Maxium running length (10watts/m)
2000K/2400K/2700K/3000K 3500K/4000K/5000K/6500K	10
Red(620-625nm)	10
Green(515-525nm)	10
Blue(560-465nm)	10
Orange Amber(605~615nm)	10
Pink	10

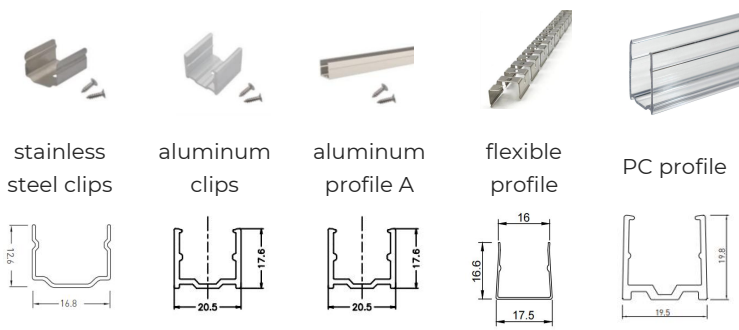
*Maximum running length for CV type is 5 meters.

Dimension&bending parameters



*for the IP68 end cap could only be manufactured in factory, the length of IP68 is pre-determined before production and could not change during installation.

Accessories options

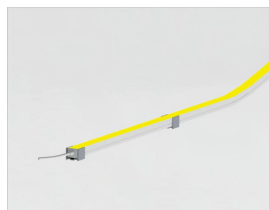


*aluminium profile and clips could be used for under waterproof environment. but for salty water or swimming pool application, PC profile is suggested for long term operation.

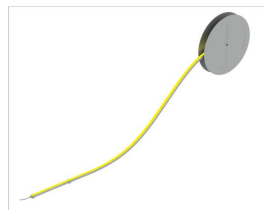
Manual instruction



l. Fix the clips with screws



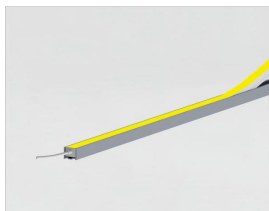
m. push the neon to be fixed by the clips



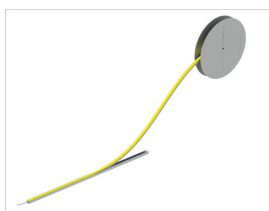
The way for vertically bending neon is unreeled and fixed



l. fix the profile with screws



m. push the neon to be fixed by the profile



The way for vertically bending neon is unreeled and fixed

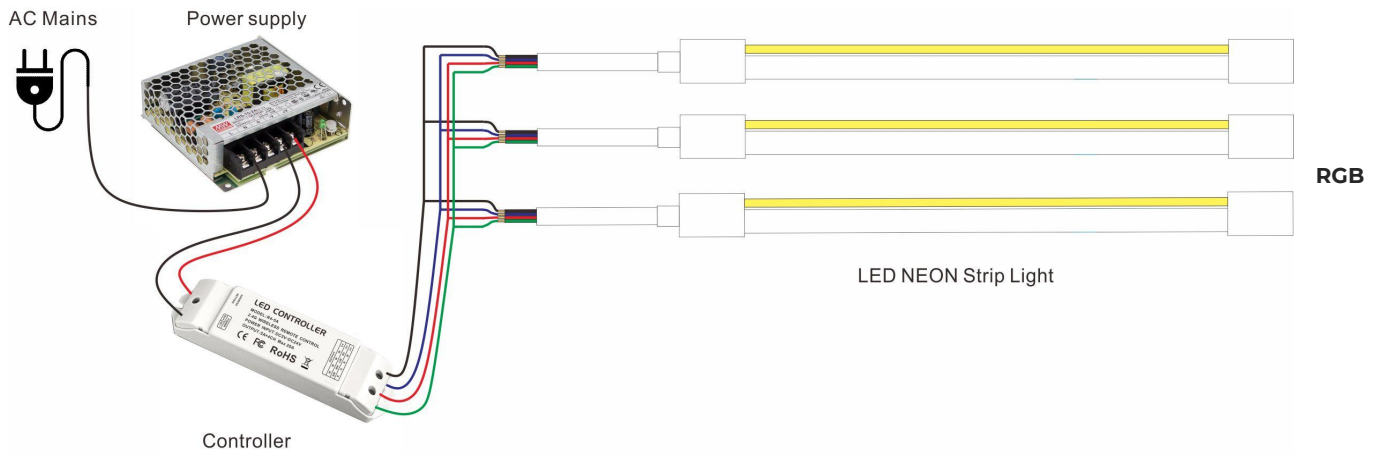
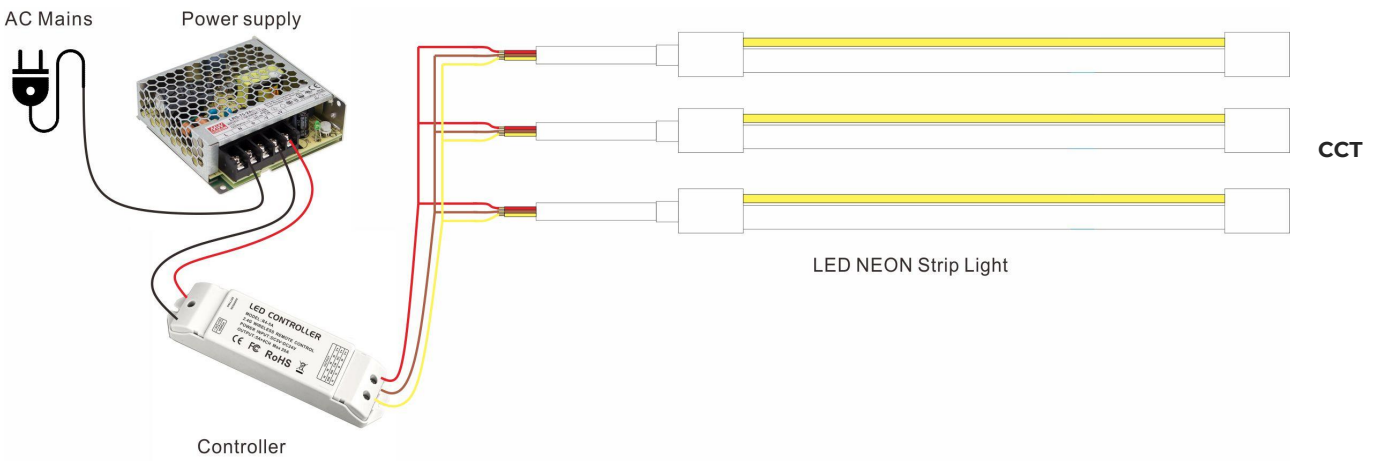
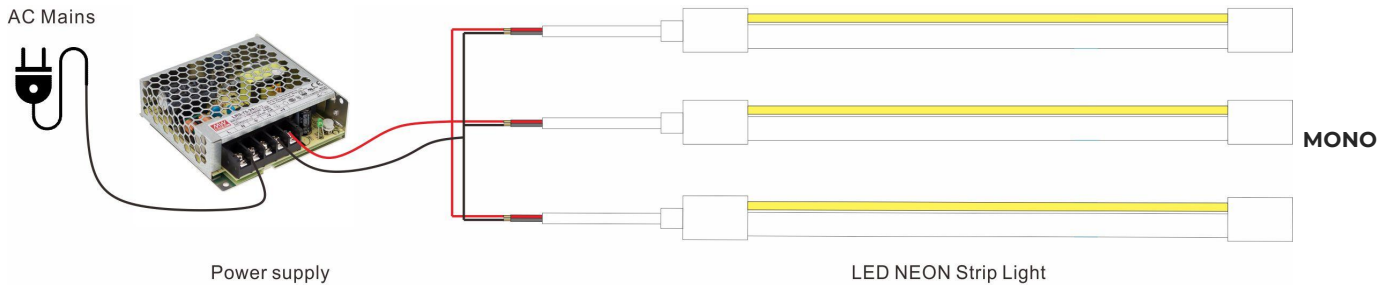
Cautions:

- a. don't light the neon before it is unreeled.
- b. it is recommended with 2 people operate unreeled the neon into clips or profile.

- d. need more attention on unreeled the horizontally bending neon flex and pushing it into profile, please make neon line with a smallest angle with the reel to avoid folding and break the PCB to cause failure.

Wiring instruction

Wiring diagram



Safety information

*Please use constant voltage, isolated power supply.

*The product is DC24V input, can't connect to AC mains directly.

*Avoid overload the power supply that the power supply shall have 20% more power capacity than the total power of products.

*Please don't light the products before unreel, otherwise the products will be overheated.

*Please cut off the power during wiring installation.

Applications

