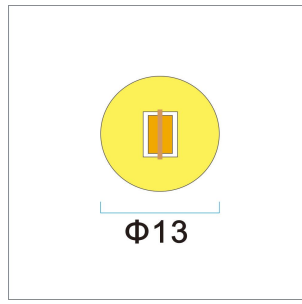
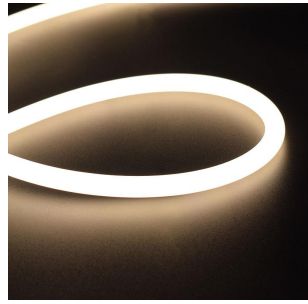


LED NEON LIGHT

Code: AST-D13-24-IP67

SPEC SHEET



Features:

- 13mm diameter dimension LED neon lights with 360 degree view feature.
- Well diffused light to achieve even, soft and eye friendly lighting effect.
- Excellent toughness, simple and stylish appearance
- Anti UV environmental friendly silicone material, salt, acids & alkalis resistance, fire retardant.
- Extrusion manufactured with IP67 waterproof grade.



Technical Specification

Light source parameters

Light source	2216
Color	Mono
CRI (mono color)	90+
SDCM(light source)	<3

Electrical parameters

Input voltage	24VDC
Input current(10W/M)	0.36A/m
Input cable	30cm 20AWG

Operating parameters

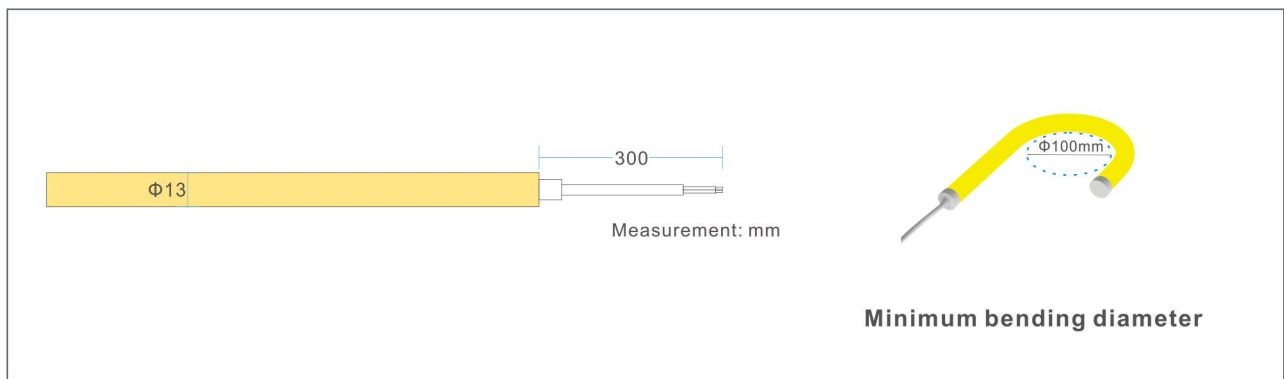
Warranty	3 Years
Life span	50000 hrs
Storage temperature	0°C ~ +60°C
Working temperature	-20°C ~ +40°C
Housing material	Silicon glue(DOW ET-7021)
Waterproof rating	IP67

Lumen&cut segment parameters

Color	8.6watts/m	Cut segment
2000K/2400K/2700K/3000K 3500K/4000K/5000K/6500K	518	50mm
Red(620-625nm)	55	50mm
Green(515-525nm)	599	50mm
Blue(460-465nm)	115	50mm
Yellow(585~595nm)	93	50mm
Orange Amber (605~615nm)	101	50mm

*All datas are based on 1M ,±10% variant exists for above data
 XIAMEN AST LIGHTING TECHNOLOGY CO., LTD www.astlighting.com

Dimension&bending parameters

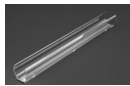


*Currently only injection end is available, so need to determine the length before production.

Accessories options



PC clip

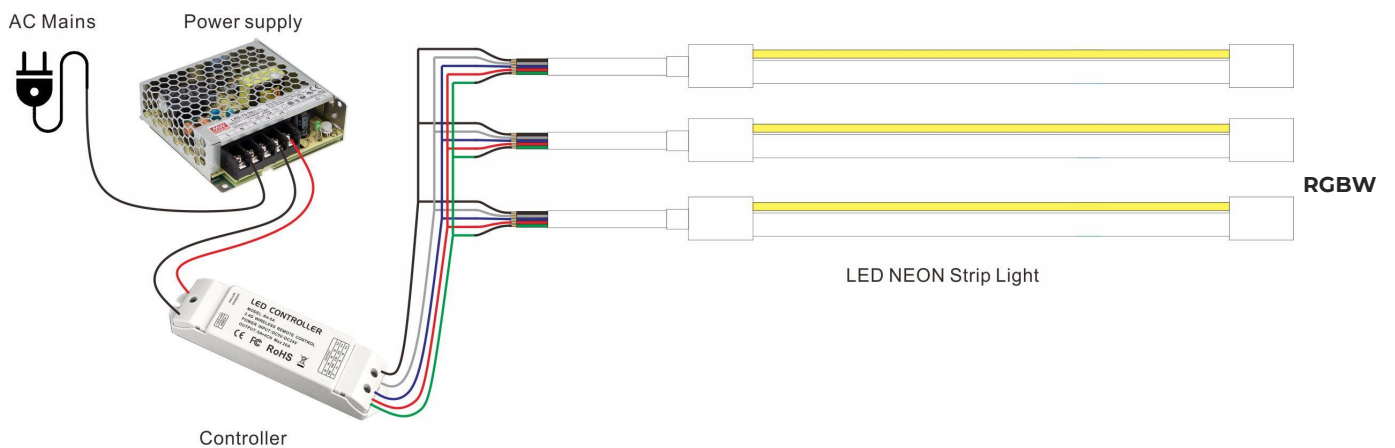
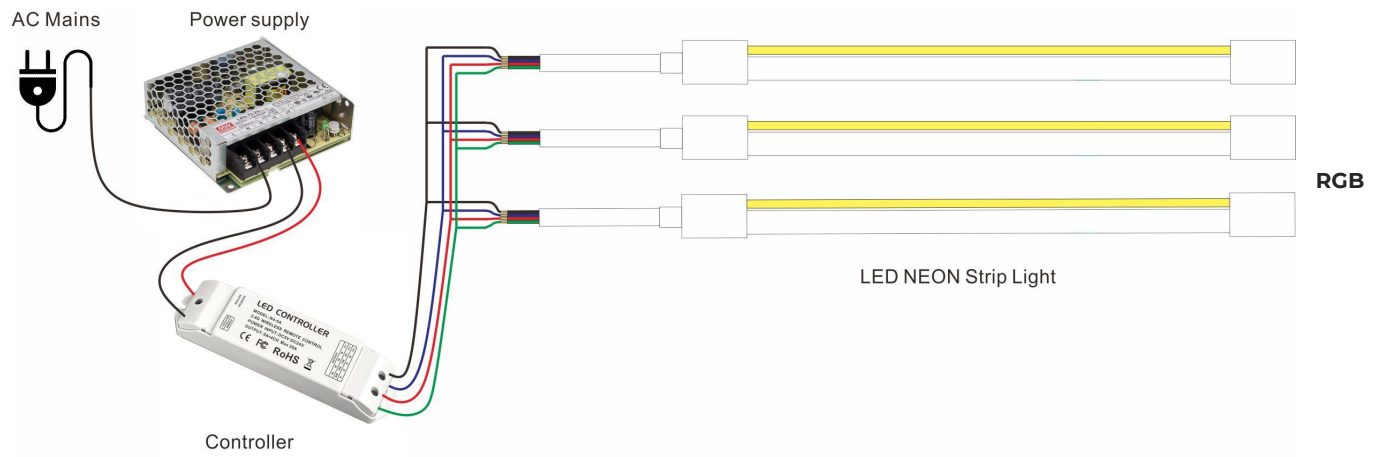
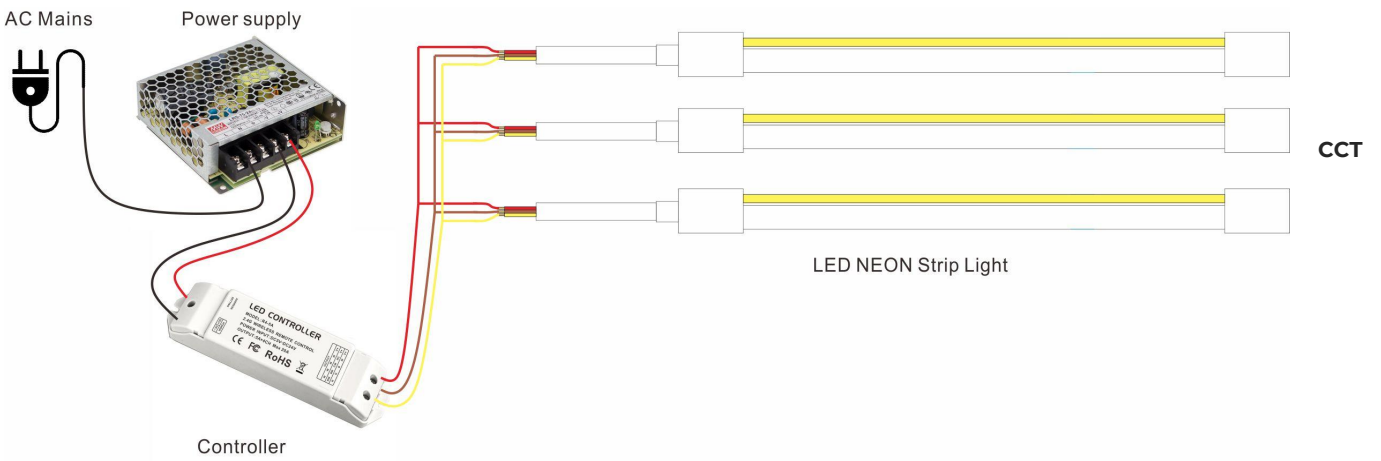
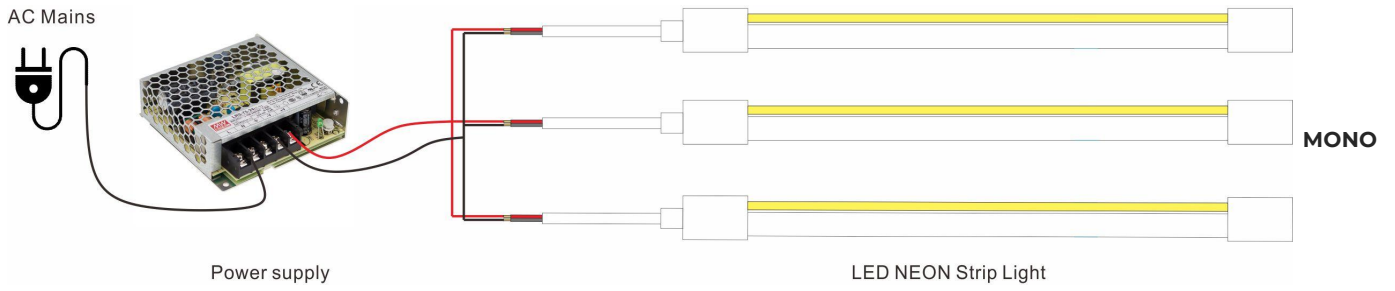


PC profile



Manual instruction

Wiring diagram



Safety information

*Please use constant voltage, isolated power supply.

*The product is DC24V input, can't connect to AC mains directly.

*Avoid overload the power supply that the power supply shall have 20% more power capacity than the total power of products.

*Please don't light the products before unreel, otherwise the products will be overheated.

*Please cut off the power during wiring installation.

Applications

