

Flex wall washer light

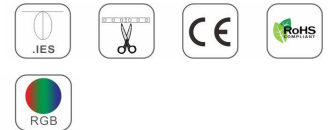
RGB: AST-WL5050L-24-24-IP65-RGB

SPEC SHEET



Features:

- 1) 5050 RGB LED. Sulfuration resistance
- 2) PVC housing with IP65 waterproof rating and UL94V0 fire resistance rating.
- 3) Special wire circuit design make the light with top bend and side bend features.
- 4) Special lens design make the light with nice optical output. 25°/30°/45°/60°/25*45° beam available.
- 5) Maximum running at 10meter when power 1 end, 20meters when powering from 2 end.
- 6) DMX512 protocol with 4 pixels per meter



Technical Specification

Light source parameters

Light source	SMD5050
LED QTY (M)	24
Color	RGB
Protocol	DMX512
Pixels quantity	4pixels/m
Beam	25°/30°/45°/60°/25*45

Electrical parameters

Input voltage	24VDC
Input current	0.67A/m
Wattage	16watts/m
Input cable	30cm 18AWG

Operating parameters

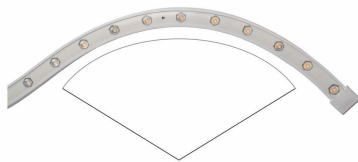
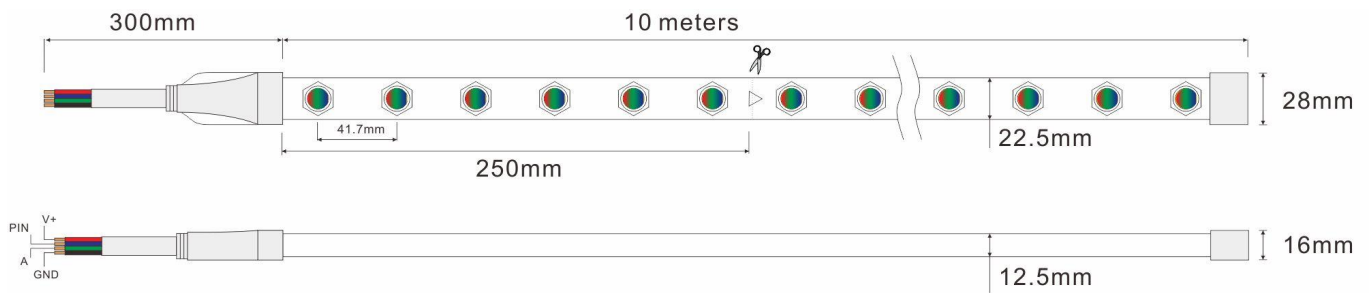
Warranty	2 Years
Life span	50000 hrs
Storage temperature	0℃ ~ +60℃
Working temperature	-20℃ ~ +45℃
Housing material	PVC
Waterproof rating	IP65
Maximum running length	10 meters(sing end power), 20 meters(2 end power)
Product package	2*20 meters reel
CTN size	36*36*36cm
Weight/CTN	16.4KG

Lumen&cut segment parameters

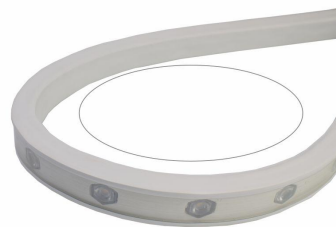
Color	Lumen/m	Cut segment
Red(620-625nm)	125	250mm
Green(515-525nm)	250	
Blue(560-465nm)	55	

*All datas are based on ,1M,±10% variant exists for above data

Dimension&bending parameters



Minimum Side Bend ϕ : 300mm



Minimum Top Bend ϕ : 100mm

Accessories options



Rotary bracket



clip



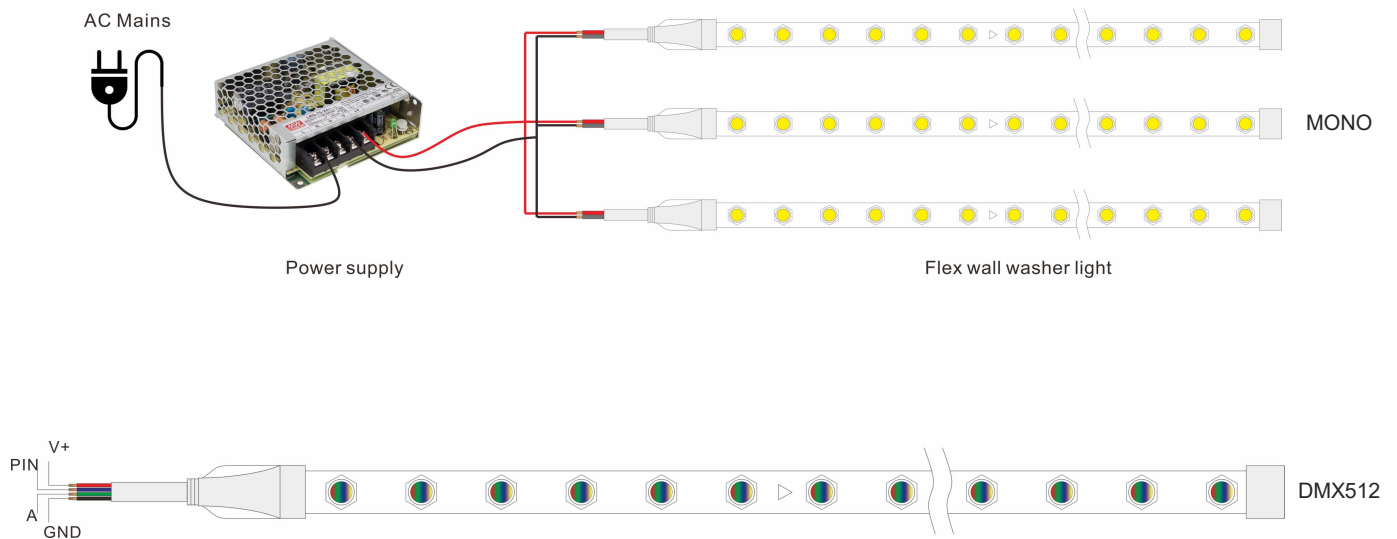
cable endcap



Seal endcap

Manual instruction

Wiring diagram



Safety information

- *The product is DC24V input, can only connect to the DC output of power supply.
- *Powering from 2 end by a unique power supply could reduce the voltage drop but can't use 2 different power supply
- *Don't overload the power supply unit. Usually most of the power supply has a efficiency between 80%-95%, so when choosiing the power supply, the total watts of the strips should be smaller than 80% of the rate power of the LED Strip Lights.
- *Please use 24VDC isolated power supply to drive the product, and the constant voltage source ripple less than 5%. Can't step-down the power by resistance-capacitance and nun-isolated power supply driver led strip, etc.
- *The product is DC low voltage input, can't connect to AC mains directly.
- *Please don't light the product before unreel, otherwise the product will overhead.
- *During the installation of positive and negative attention to the power cord, do not pick the wrong voltage power supply and the product are the same, so as to avoid damage to the product.
- *Use PVC glue for sealing the endcaps.