

# NEON FLEX TUBE

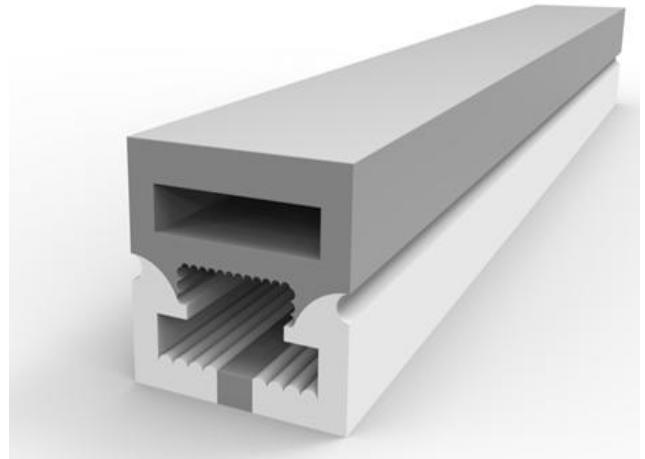
## Top & Side View Series

## SPEC SHEET

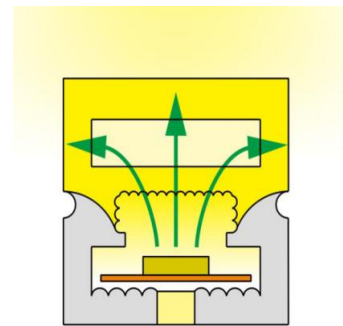
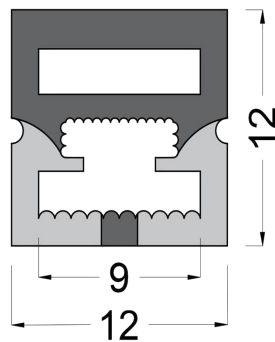
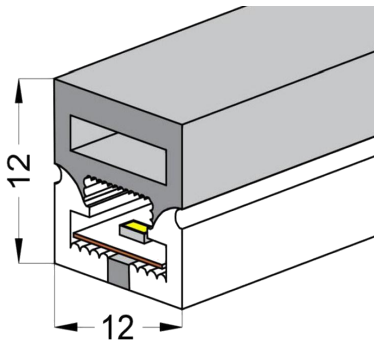
### Features

- Save up to 90% of energy costs over glass neon
- Extremely bright
- Highly flexible
- Cool to the touch
- Easy to install
- Strip PCB 8mm
- Weight:130g/M

## NTS1212



### Dimensions / mm



### Accessories

Wire Caps	Right wire cap	Left wire cap	Bottom wire cap	Straight wire cap
PIC				

Item	End cap	Installation clip	Aluminum channel	Glue
PIC				