

NEON FLEX TUBE

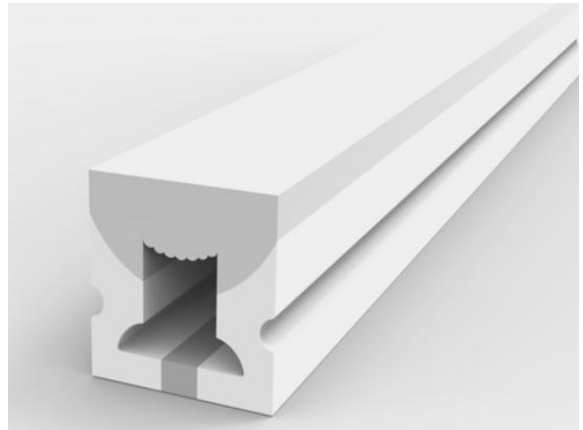
Top & Side View Series

SPEC SHEET

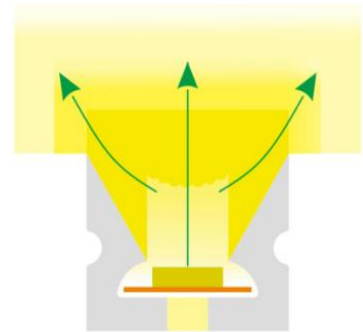
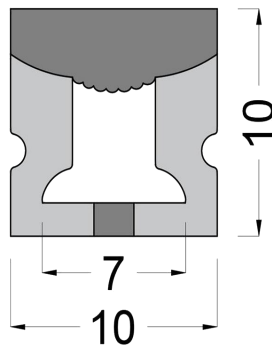
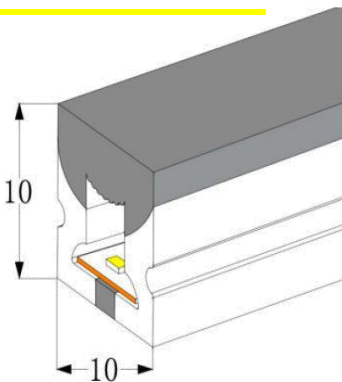
Features

- Save up to 90% of energy costs over glass neon
- Extremely bright
- Highly flexible
- Cool to the touch
- Easy to install
- Strip PCB 6mm
- Weight:100g/M

NTS1010



Dimensions / mm



Accessories

| Wire Caps | Right wire cap | Left wire cap | Bottom wire cap | Straight wire cap |
|-----------|----------------|---------------|-----------------|-------------------|
| PIC | | | | |

| Item | End cap | Installation clip | Aluminum channel | Glue |
|------|---------|-------------------|------------------|------|
| PIC | | | | |