

NEON FLEX TUBE

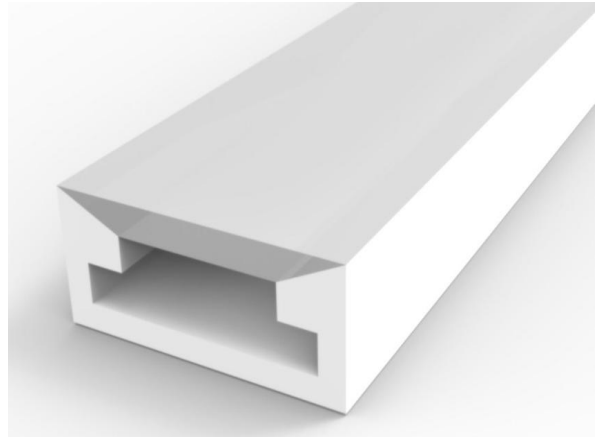
Top View Series

SPEC SHEET

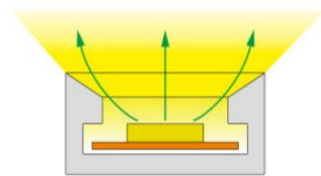
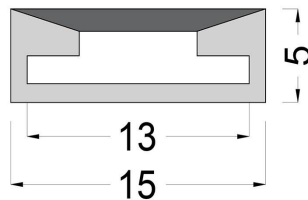
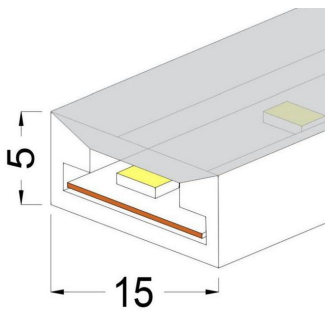
Features

- Save up to 90% of energy costs over glass neon
- Extremely bright
- Highly flexible
- Cool to the touch
- Easy to install
- Strip PCB 12mm
- Weight:60g/M

NT1505



Dimensions / mm



Accessories

Wire Caps	Right wire cap	Left wire cap	Bottom wire cap	Straight wire cap
PIC	/	/	/	

Item	End cap	Installation clip	Aluminum channel	Glue
PIC			/	