

# NEON FLEX TUBE

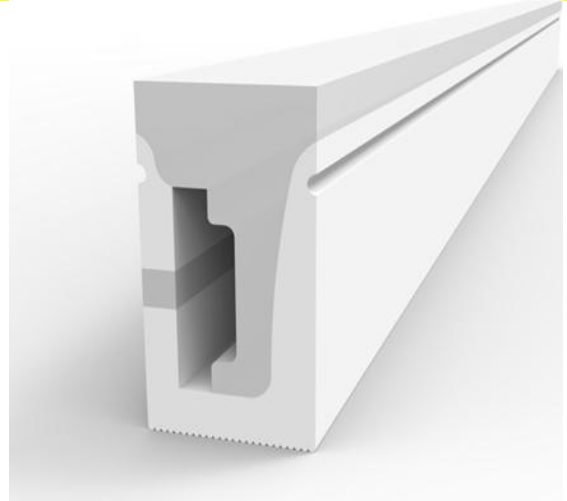
## Side View Series

## SPEC SHEET

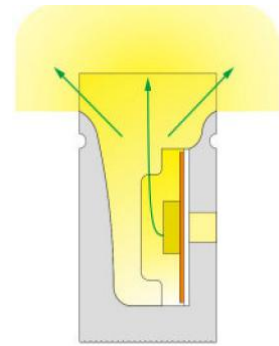
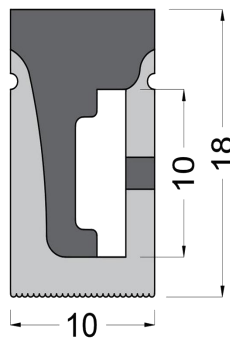
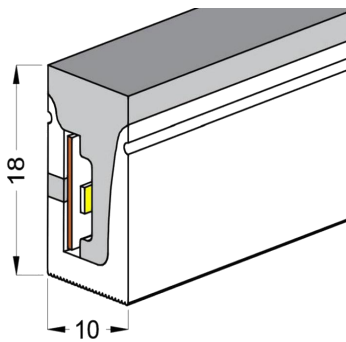
### Features

- Save up to 90% of energy costs over glass neon
- Extremely bright
- Highly flexible
- Cool to the touch
- Easy to install
- Strip PCB 10mm
- Weight:190g/M

## NS1018



### Dimensions / mm



### Accessories

| Wire Caps | Right wire cap | Left wire cap | Bottom wire cap | Straight wire cap |
|-----------|----------------|---------------|-----------------|-------------------|
| PIC       | /              | /             | /               |                   |

| Item | End cap | Installation clip | Aluminum channel | Glue |
|------|---------|-------------------|------------------|------|
| PIC  |         |                   |                  |      |