

NEON FLEX TUBE

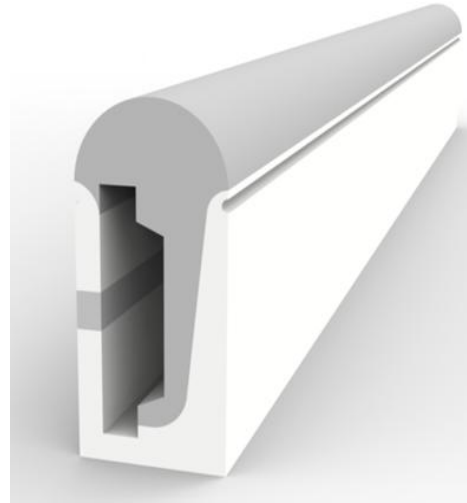
Side View Series

SPEC SHEET

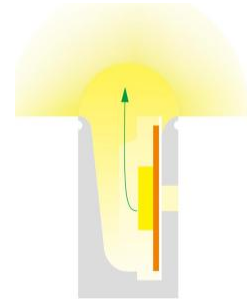
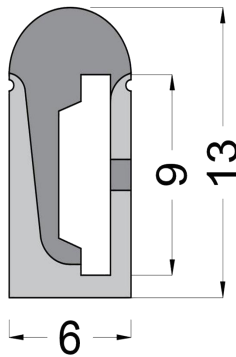
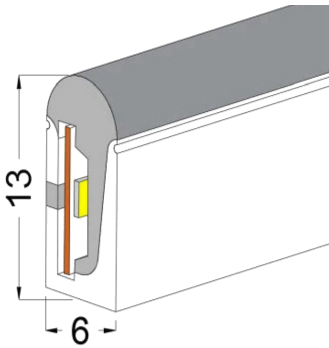
Features

- Save up to 90% of energy costs over glass neon
- Extremely bright
- Highly flexible
- Cool to the touch
- Easy to install
- Strip PCB 8mm
- Weight:75g/M



NS613R



Dimensions / mm



Accessories

Wire Caps	Right wire cap	Left wire cap	Bottom wire cap	Straight wire cap
PIC			/	/

Item	End cap	Installation clip	Aluminum channel	Glue
PIC	